



# RPS-325

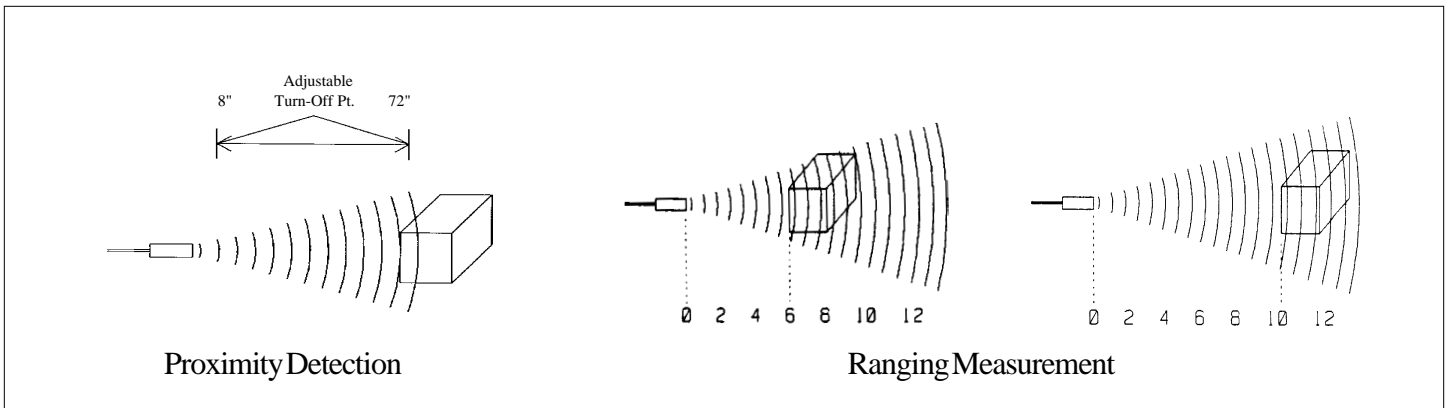
## Features

- Various Sensing Ranges
- RPS-500 Compatible
- Narrow Sensing Beam
- 3-Way Power Operation
- High Frequency - 150kHz
- Isolated Form C Relay Output
- LED Indicator
- Small Electronic Controller
- Sealed Transducer
- Small Remote Transducer

The RPS-325 is a high frequency, sealed transducer unit best suited for environments where dirt and moisture are a problem. The transducer head is constructed of 303 grade stainless steel with a 302 grade stainless steel sensing face. The remote transducer allows for mounting of the sensor head in cramped spaces while the controller is out of the way. The ranging and proximity modes provide the versatility of simple detection, or actual distance measuring. The isolated form C relay furnishes N.O. and N.C. outputs, and



with the addition of the RPS-500 card various analog outputs are supplied. The RPS-325 sensor operates at a frequency of 150kHz for the 72" range. This sensor has a narrow sensing beam. Sensing range available for the RPS-325 is 8" to 72". Mounting flanges, LED indicator, ranging potentiometer and 6-ft. transducer cable are included. Optional cable lengths are available.



## Proximity Detection

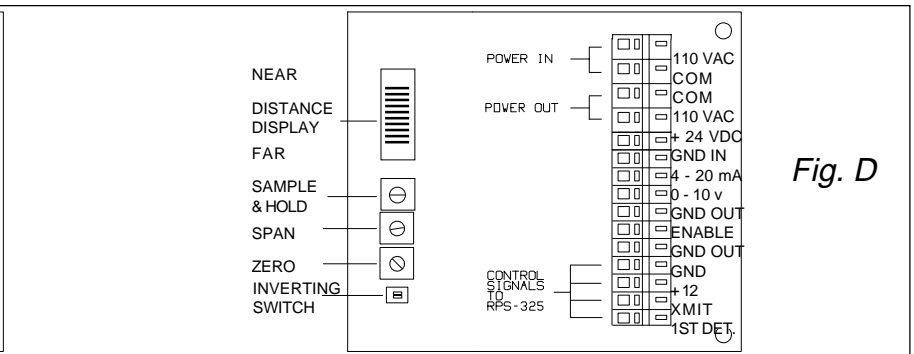
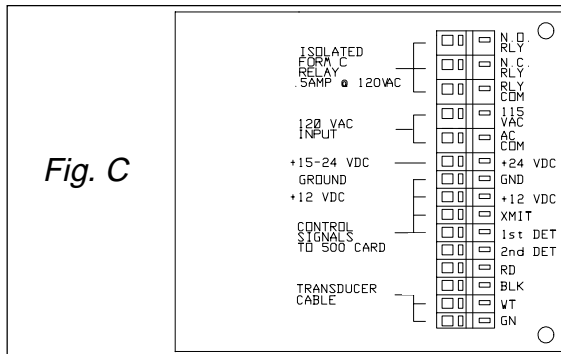
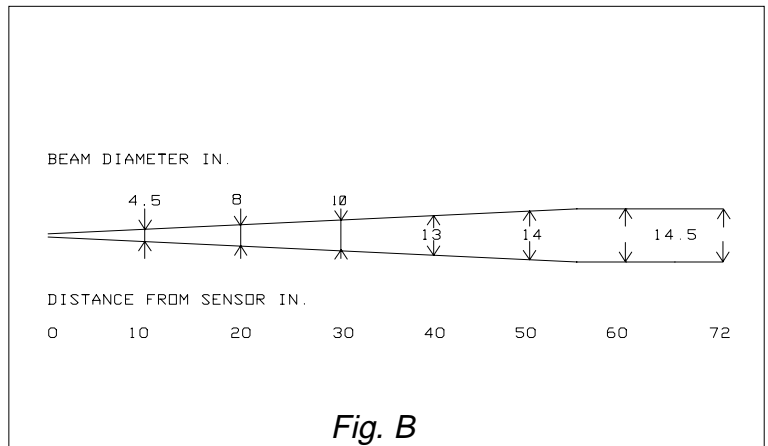
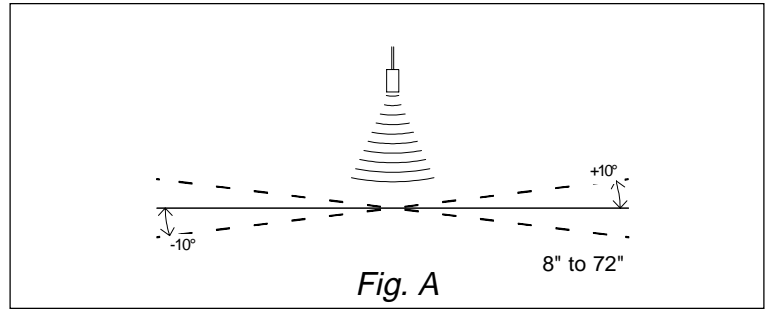
Proximity detection is the detection of an object in a given range. The detection range of the RPS-325 is controlled by the "Range Control" potentiometer located on the front cover of the controller. Any object within the desired range is detected, while objects out of range are ignored. The detect point is independent of size, material, and reflectivity. The Proximity Option is denoted by the part number RPS-325-72.

## Ranging Measurement

With the addition of the RPS-500 card, Analog outputs of 0-10 VDC and 4-20 mA are provided. Precise distances of an object moving to and from the transducer are measured via time intervals between transmitted and reflected bursts of ultrasonic sound. The example shows a target detected at 6 inches from the transducer and moving to 10 inches. The distance change is continuously calculated and outputted. Ranging Option is indicated by following the part number with (-500). (Example: RPS-325-72-500)

# Specifications:

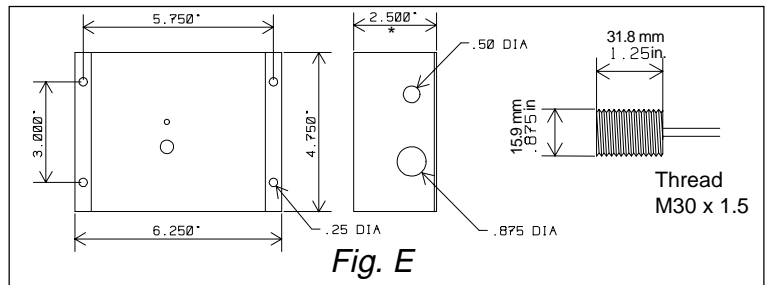
Operational Range:	Adjustable 8" to 72"
Power Input:	120VAC
* <i>Only 120VAC or 24 VDC</i>	15 - 24VDC
<i>with 500 Analog card.</i>	12VDC Regulated
	12 - 17VAC
Input Current:	30 Milliamps
Input Current with 500 card:	50 Milliamps
Ambient Temperature:	0°C to 60°C or 32°F to 140°F
Controller:	Metal Enclosed
Transducer Housing:	303 Grade Stainless Steel
Transducer:	302 Grade Stainless Steel Sensing Face
Output: N.O., N.C.	Isolated Form C Relay
	.5 Amp Maximum at 120VAC
	12VDC Logic Signal
Output with 500 card:	0 - 10VDC, 4 - 20mA Analog Outputs with Zero, Span, Sample, and Hold controls.
Transducer Frequency:	150kHz
Response Time:	8" to 72"
	60mS - On
	60mS - Off
Weight of Controller:	34.2 ounces
Weight of Transducer:	4.5 ounces



## Figure:

- A - Angle of Tilt
- B - Beam Spread
- C - Wiring Diag.- For RPS-325
- D - Wiring Diag.- For RPS-500
- E - Mounting Dimensions

\* Dimension changes from 2.5" to 3.75" when ordered with the 500 Analog Ranging Card.



PART NUMBER	RANGE	OUTPUT
RPS-325-72	8" - 72"	Isolated Form C Relay
RPS-325-72-500	8" - 72"	0 - 10VDC and 4 - 20mA Analog



(815) 338-5800 / FAX: (815) 338-5803

935 Dieckman Rd., Woodstock, IL 60098 USA  
<http://www.migatron.com> e-mail: [info@migatron.com](mailto:info@migatron.com)